

GC1140

360° GRAVITY INLET

FULLY INSULATED!



PATENT PENDING



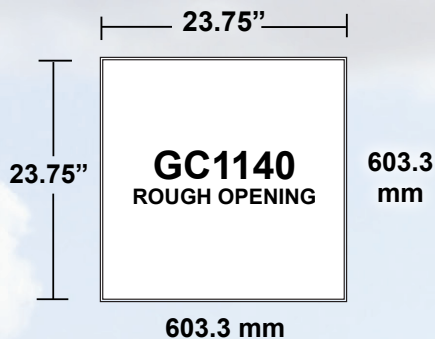
Removable lid for
easy cleaning & installation

INLET SPECIFICATIONS

Part 90675

Ship Weight: 9 lbs / 4 kg

CFM: 2,048 @ 0.15 SP



FEATURES:

- New 360° airflow heavy-duty, radius corner design increases fuel savings, air distribution, & air mixing in hog buildings
- Fully insulated housing prevents heat loss
- Tightest seal on market - no air leakage
- Adjustable counterweight - opens at different SP
- Removable lid for easy cleaning and installation



DOUBLE L GROUP LLC

2020 Beltline Road, PO Box 324 Dyersville, Iowa 52040
phone 1.800.553.4102 or 563.875.6257 fax 563.875.6258

www.doublel.com

info@doublel.com

Follow Us:

